



## *76MR Pulse Jet Valves*

*Innovative Environmental Solutions*

**tyco** | Flow Control | **Environmental Systems**

## Description

The CA76MR and RCA76MR series are 3" port pulse jet valves designed for direct mounting to nominal 12" diameter cylindrical manifolds. The CA76MR and RCA76MR deliver the very high flow performance of the square manifold mounted Goyen 76MM valves.

## Suitable for

Mounting to 12" nominal diameter steel manifolds in dust collector applications for use in reverse pulse jet cleaning including bag filters, cartridge filters, envelope filters, ceramic filters and sintered metal fibre filters.

The 76MR Series valves are available for purchase in three formats. Either as a stand-alone valve, with an outlet pipe or assembled to a manifold as part of a complete filter cleaning solution.

## Construction and Specifications

**Body and top cover:** Die-cast Aluminium

**Ferrule:** 304 SS

**Armature:** 430FR SS

**Diaphragm and seals:** Nitrile or Viton (Reinforced)

**Spring:** 304 SS

**Screws:** 302 SS

**Outlet Pipe:** Schedule 40 wrought steel zinc passivated

**Diaphragm Seat:** Nitrile coated mild steel/Viton coated mild steel

*Refer to "Q" series product data sheet for solenoid construction details.*

### Weight

Integral Pilot (CA): 4.27 kg (9.41 lbs)

Remote Pilot (RCA): 4.05 kg (8.93 lbs)

### Performance (Flow Coefficient)

200 Kv

233 Cv

### Pressure Range

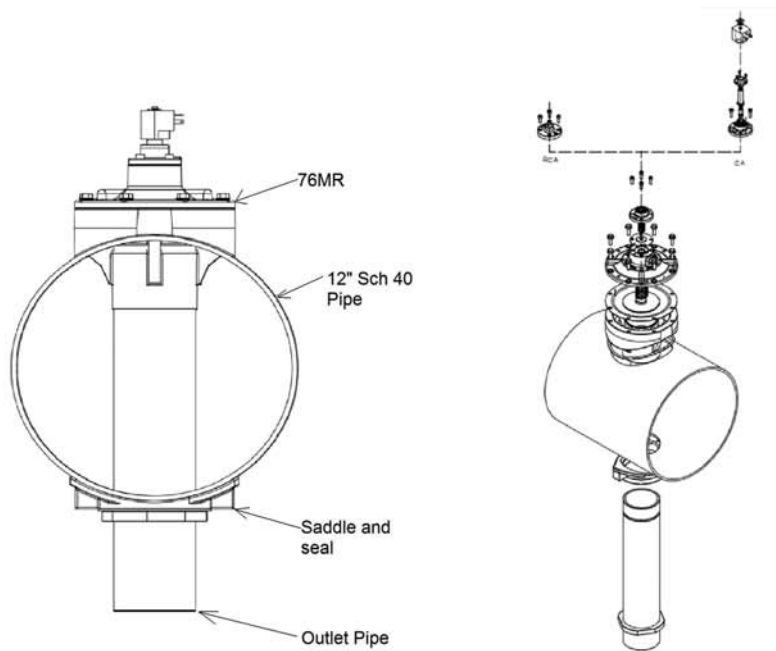
30 kPA/5 Psi to 860 kPA/125 Psi

### Temperature Range

Nitrile Seals: -40°C (-40°F) to 82°C (179.6°F).

Viton Seals: -29°C (20.2°F) to 232°C (449.6°F).

## 76MR Configuration with Manifold and Outlet Pipe



## Operation

**Recommended on time range:** 50 – 500ms.

**Recommended time between pulses:** 1 minute or greater.

## Maintenance

Before conducting any maintenance activity on the system, ensure that components are fully isolated from the pressure and power supplies. Pressure and power should not be applied until the valve has been fully assembled. Diaphragm and pilot inspection should be conducted annually.

## Maintenance Kits

	Nitrile	Viton
CA/RCA76MR Diaphragm Kit	K7600	K7601
Pilot Repair Kit	K0380	K0384

- Diaphragm kits include main and secondary diaphragms and all diaphragm springs.
- Pilot repair kit includes o-ring, armature assembly, armature spring and ferrule.





#### **Australia**

Head Office  
Goyen Controls Co Pty Ltd  
268 Milperra Road  
Milperra, NSW 2214

Telephone: 1800 805 372  
Facsimile: 1300 658 799

Queensland  
Telephone: 1800 805 372  
Facsimile: 1300 658 799

Victoria  
Telephone: 1800 805 372  
Facsimile: 1300 658 799

South Australia  
Telephone: 1800 805 372  
Facsimile: 1300 658 799

Western Australia  
Telephone: 1800 805 372  
Facsimile: 1300 658 799

#### **Asia**

Goyen Controls Co Pty Ltd  
Shanghai Representative Office  
1209 Greenland Business Centre  
1258 Yu Yuan Road  
Shanghai PC200050  
CHINA

Telephone: +86 21 5239 8810  
Facsimile: +86 21 5239 8812

Goyen Controls Co Pty Ltd  
73-M Jalan Mega Mendung  
Kompleks Bandar OUG  
58200 Kuala Lumpur MALAYSIA

Telephone: +60 37 987 6839  
Facsimile: +60 37 987 7839

Office: Singapore  
Tel/Facsimile: +65 6457 4549

#### **USA**

Goyen Valve Corporation  
1195 Airport Road  
Lakewood  
New Jersey 08701  
USA

Telephone: +1 732 364 7800  
Facsimile: +1 732 364 1356

#### **Europe**

Goyen Controls Co UK Ltd  
Unit 3B Beechwood  
Chineham Business Park  
Basingstoke, Hampshire, RG24 8WA  
UNITED KINGDOM

Telephone: +44 1256 817 800  
Facsimile: +44 1256 843 164

Tyco Umwelttechnik GmbH  
Im Petersfeld 6  
D-65624 Altendiez  
GERMANY

Telephone: +49 6432 95299 0  
Facsimile: +49 6432 95299 24

Mecair S.r.l.  
Via per Cinisello 97  
20054 Nova Milanese  
Milano,  
ITALY

Telephone: +39 0362 3751  
Facsimile: +39 0362 367279